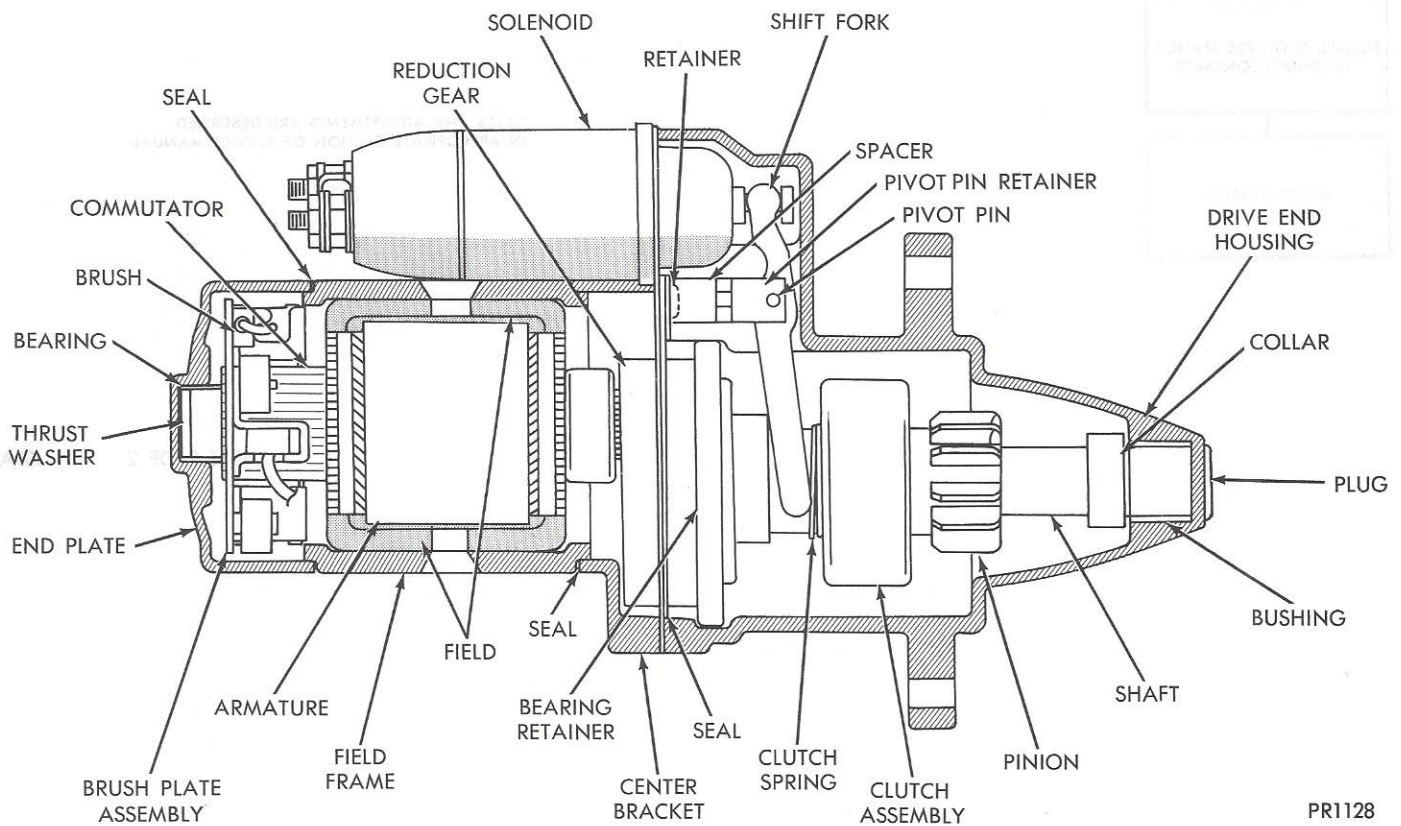


PF28

Fig. 1—Conventional Starter Motor (Cross Section View)



PR1128

Fig. 2—Diesel Starter (Cross Sectional View)